

## Universal & 800 Series High Performance Tap

 <b>HSSE PM</b> <b>HSSE</b> <b>TN</b> <b>TA</b>					
	Material groups	<b>P M K N S</b>	<b>P M K N S</b>	<b>P M K N S</b>	<b>P M K N S</b>
	Hole type				
	Coating	TA	TA	TN	TN
	Chamfer	B / 4-5P	C / 2-3P	B / 4-5P	C / 2-3P
Tolerance	2BX	2BX	2B	2B	

UNC	UNC	P	L1	L2	L3	Ød2	a		MTSP	MTSF	800SP-BT	800SF-CT
	<b>DIN 371</b>								<b>EDP</b>	<b>EDP</b>	<b>EDP</b>	<b>EDP</b>
4-40	40	56	5	18	3.5	2.7	2.35		FT1276	FT1289		
5-40	40	56	7	18	3.5	2.7	2.65		FT1277	FT1290		
6-32	32	56	6	20	4.0	3.0	2.85		FT1279	FT1292		
8-32	32	63	7	21	4.5	3.4	3.50		FT1280	FT1293		
10-24	24	70	8	25	6.0	4.9	3.90		FT1274	FT1287		
1/4-20	20	80	13	30	7.0	5.5	5.10		FT1273	FT1286		
5/16-18	18	90	13	35	8.0	6.0	6.60		FT1278	FT1291		
3/8-16	16	100	15	39	10.0	8.0	8.00		FT1275	FT1288		
	<b>DIN 376</b>											
7/16-14	14	100	15		9	7	9.40		FT1284	FT1297		
1/2-13	13	110	18		4.5	3.4	10.80		FT1281	FT1295		
9/16-12	12	110	20		6	4.9	12.20		FT1285	FT1298		
5/8-11	11	110	22		6	4.9	13.50		FT1283	FT1296		
3/4-10	10	125	32		14.0	11.0	16.50				FT1282	FT1294


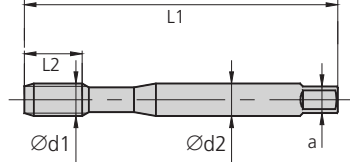

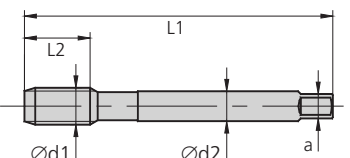

Material groups	ISO	Vc-m/min Cutting Speed			
<b>Steels</b>	<b>P</b>	5-40	5-40	5-35	5-40
<b>Stainless Steels</b>	<b>M</b>	5-15	5-15	5-15	5-15
<b>Cast Irons</b>	<b>K</b>	10-30	10-30	10-25	10-25
<b>Non-Ferrous Metals</b>	<b>N</b>	10-30	10-30	10-30	10-30
<b>Special Alloys</b>	<b>S</b>	1-8	1-8		


### Example of order

MTSP - 4-40  
or  
EDP - FT1276

# Universal & 800 Series

## High Performance Tap

 <b>HSSE PM</b> <b>HSSE</b> <b>TN</b> <b>TA</b>		
		
Material groups		P M K N S P M K N S P M K N S P M K N S
Hole type		
Coating		<3d <2.5d <2.5d <3d
Chamfer		TA TA TN TN
Tolerance		B / 4-5P C / 2-3P B / 4-5P C / 2-3P
		2BX 2BX 2B 2B

UNF	UNF	P	L1	L2	L3	Ød2	a		MTSP	MTSF	800SP-BT	800SF-CT
<b>DIN 371</b>									EDP	EDP	EDP	EDP
4-48	40	56	12	20	4.0	2.7	2.40		FT1301	FT1313		
6-40	36	63	12	21	4.5	3.0	2.95		FT1302	FT1322		
10-32	32	70	14	25	6.0	4.9	4.10		FT1300	FT1312		
1/4-28	28	80	18	30	6.0	5.5	5.50		FT1299	FT1311		
5/16-24	28	90	20	35	8.0	6.0	6.90		FT1306	FT1317		
3/8-24	24	100	20	39	10.0	8.0	8.50		FT1305	FT1316		
<b>DIN 376</b>												
7/16-20	20	100	15		8.0	6.2	9.90		FT1308	FT1319		
1/2-20	20	100	15		9.0	7.0	11.50		FT1303	FT1314		
9/16-18	18	100	15		11.0	9.0	12.90		FT1310	FT1321		
5/8-18	18	100	15		12.0	9.0	14.50		FT1307	FT1318		
3/4-16	16	110	24		14.0	11.0	17.50				FT1304	FT1315
7/8-14	14	124	24		18.0	14.5	20.40				FT1309	FT1320

Material groups	ISO	Vc-m/min Cutting Speed			
<b>Steels</b>	<b>P</b>	5-40	5-40	5-35	5-40
<b>Stainless Steels</b>	<b>M</b>	5-15	5-15	5-15	5-15
<b>Cast Irons</b>	<b>K</b>	10-30	10-30	10-25	10-25
<b>Non-Ferrous Metals</b>	<b>N</b>	10-30	10-30	10-30	10-30
<b>Special Alloys</b>	<b>S</b>	1-8	1-8		

### Example of order

800SP-BT - 3/4-16  
or  
EDP - FT1309