



Where **high performance**
is the **standard**[®]



M.A. FORD GRIP
HYDRAULIC MILLING CHUCK

www.mafordeurope.com

HC20S & HC32S

Hydraulic Milling Chuck
SK (DIN 69871 AD+B)



EDP	Tool No.	SK	Type
FA13327	SK40-HC20S-64.5	40	HC20S
FA13330	SK50-HC32S-81	50	HC32S

HC20 Hydraulic Milling Chuck SK (DIN 69871)



EDP	Tool No.	SK	Type
FA13376	SK40-HC20-24.60SGP	40	HC20

HC20S & HC32S

Hydraulic Milling Chuck
BT (MAS 403)



EDP	Tool No.	BT	Type
FA13203	BT40-HC20S-72.5	40	HC20S
FA13206	BT50-HC32S-090	50	HC32S

HC20 Hydraulic Milling Chuck BT (Mas 403)



EDP	Tool No.	ISO	Type
FA13262	BT40-HC20-32.50SGP	40	HC20

HC20S & HC32S

Hydraulic Milling Chuck
HSK (DIN 69893 A)



EDP	Tool No.	HSK	Type
FA13380	HSK-A63-HC20S-080	63	HC20S
FA13383	HSK-A100-HC32S-110	100	HC32S

HC20 Hydraulic Milling Chuck KBT (MAS 403) Face and Taper Contact



EDP	Tool No.	ISO	Type
FA13325	KBT40-HC20-32.50SGP	40	HC20

HC25 Hydraulic Milling Chuck BT (MAS 403)



EDP	Tool No.	SK	Type
FA13238	BT40-HC25-090ADB	40	HC25

HRNPO25 Cylindrical Reduction Sleeves

Non Pullout



EDP	Tool No.	M
FA13604	HRNPO25-12.0	M16X2
FA13605	HRNPO25-16.0	M16X2

HC25 Hydraulic Milling Chuck HSK-A (DIN 69893-1)



EDP	Tool No.	HSK-A	Type
FA13439	HSK-A63-HC25-120	63	HC25

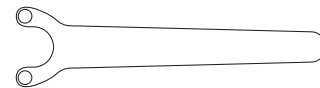
HC25 Hydraulic Milling Chuck SK (DIN 69871)



EDP	Tool No.	SK	Type
FA13352	SK40-HC25-095ADB	40	HC25

Spare Parts

ER25A Pin Spanner



EDP	Tool Number
FA12701	E25A-SPA

Non Pull-Out Sleeve Pin



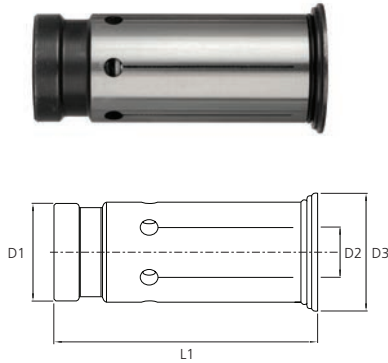
EDP	Tool Number
FA13606	NPO-PIN

Non Pull-Out Sleeve Pin Ejector



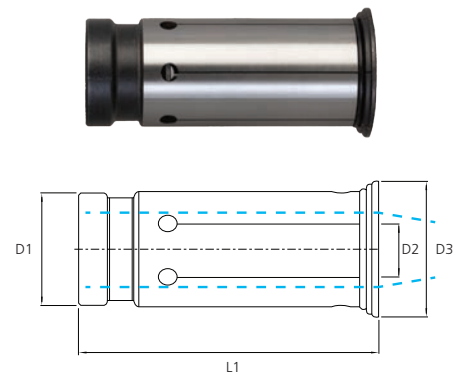
EDP	Tool Number
FA13607	NPO-PINEJE

HRS Cylindrical Reduction Sleeves



EDP	Tool No.	D1	D2	D3	L1
FA13536	HRS20-3.0	20.0	3.0	29.0	52.5
FA13537	HRS20-4.0	20.0	4.0	29.0	52.5
FA13538	HRS20-5.0	20.0	5.0	29.0	52.5
FA13539	HRS20-6.0	20.0	6.0	29.0	52.5
FA13540	HRS20-7.0	20.0	7.0	29.0	52.5
FA13541	HRS20-8.0	20.0	8.0	29.0	52.5
FA13542	HRS20-9.0	20.0	9.0	29.0	52.5
FA13543	HRS20-10.0	20.0	10.0	29.0	52.5
FA13544	HRS20-11.0	20.0	11.0	29.0	52.5
FA13545	HRS20-12.0	20.0	12.0	29.0	52.5
FA13546	HRS20-13.0	20.0	13.0	29.0	52.5
FA13547	HRS20-14.0	20.0	14.0	29.0	52.5
FA13548	HRS20-15.0	20.0	15.0	29.0	52.5
FA13549	HRS20-16.0	20.0	16.0	29.0	52.5
FA13560	HRS25-6.0	25.0	6.0	29.0	56.5
FA13561	HRS25-8.0	25.0	8.0	29.0	56.5
FA13562	HRS25-10.0	25.0	10.0	29.0	56.5
FA13563	HRS25-12.0	25.0	12.0	29.0	56.5
FA13564	HRS25-14.0	25.0	14.0	29.0	56.5
FA13565	HRS25-16.0	25.0	16.0	29.0	56.5
FA13566	HRS25-18.0	25.0	18.0	29.0	56.5
FA13567	HRS25-20.0	25.0	20.0	29.0	56.5
FA13550	HRS32-6.0	32.0	6.0	39.0	63.5
FA13551	HRS32-8.0	32.0	8.0	39.0	63.5
FA13552	HRS32-10.0	32.0	10.0	39.0	63.5
FA13553	HRS32-12.0	32.0	12.0	39.0	63.5
FA13554	HRS32-14.0	32.0	14.0	39.0	63.5
FA13555	HRS32-16.0	32.0	16.0	39.0	63.5
FA13556	HRS32-18.0	32.0	18.0	39.0	63.5
FA13557	HRS32-20.0	32.0	20.0	39.0	63.5
FA13558	HRS32-25.0	32.0	25.0	39.0	63.5

HRTC Cylindrical Reduction Sleeves Through Face Coolant



EDP	Tool No.	D1	D2	D3	L1
FA13568	HRTC20-3.0	12.0	3.0	24.0	52.5
FA13569	HRTC20-4.0	12.0	4.0	24.0	52.5
FA13570	HRTC20-5.0	12.0	5.0	24.0	52.5
FA13571	HRTC20-6.0	12.0	6.0	24.0	52.5
FA13572	HRTC20-7.0	12.0	7.0	24.0	52.5
FA13573	HRTC20-8.0	12.0	8.0	24.0	52.5
FA13574	HRTC20-9.0	20.0	9.0	24.0	52.5
FA13575	HRTC20-10.0	20.0	10.0	24.0	52.5
FA13576	HRTC20-11.0	20.0	11.0	24.0	52.5
FA13577	HRTC20-12.0	20.0	12.0	24.0	52.5
FA13578	HRTC20-13.0	20.0	13.0	24.0	52.5
FA13579	HRTC20-14.0	20.0	14.0	24.0	52.5
FA13580	HRTC20-15.0	20.0	15.0	24.0	52.5
FA13581	HRTC20-16.0	20.0	16.0	24.0	52.5
FA13582	HRTC25-6.0	25.0	6.0	29.0	56.5
FA13583	HRTC25-8.0	25.0	8.0	29.0	56.5
FA13584	HRTC25-10.0	25.0	10.0	29.0	56.5
FA13585	HRTC25-12.0	25.0	12.0	29.0	56.5
FA13586	HRTC25-14.0	25.0	14.0	29.0	56.5
FA13587	HRTC25-16.0	25.0	16.0	29.0	56.5
FA13588	HRTC25-18.0	25.0	18.0	29.0	56.5
FA13589	HRTC25-20.0	25.0	20.0	29.0	56.5
FA13590	HRTC32-6.0	32.0	6.0	36.0	63.5
FA13591	HRTC32-7.0	32.0	7.0	36.0	63.5
FA13592	HRTC32-8.0	32.0	8.0	36.0	63.5
FA13593	HRTC32-9.0	32.0	9.0	36.0	63.5
FA13594	HRTC32-10.0	32.0	10.0	36.0	63.5
FA13595	HRTC32-11.0	32.0	11.0	36.0	63.5
FA13596	HRTC32-12.0	32.0	12.0	36.0	63.5
FA13597	HRTC32-13.0	32.0	13.0	36.0	63.5
FA13598	HRTC32-14.0	32.0	14.0	36.0	63.5
FA13599	HRTC32-15.0	32.0	15.0	36.0	63.5
FA13600	HRTC32-16.0	32.0	16.0	36.0	63.5
FA13601	HRTC32-18.0	32.0	18.0	36.0	63.5
FA13602	HRTC32-20.0	32.0	20.0	36.0	63.5
FA13603	HRTC32-25.0	32.0	25.0	36.0	63.5

Also available:



Where **high performance** is the **standard**



New interactive cutting data app now available from M.A. Ford

Everything you need at your fingertips

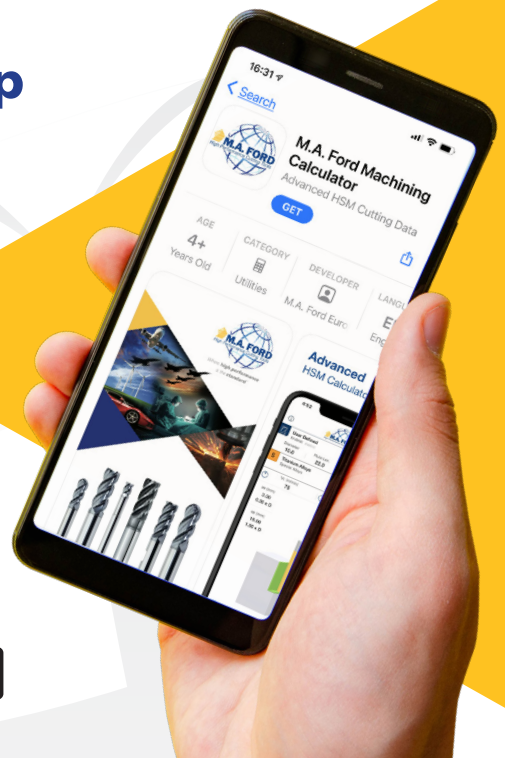
Our interactive app for iOS and Android devices makes tool cutting data calculations simpler and faster by minimising text input and using 3D graphics that respond instantly to changing cutting parameters, using smart-phone or tablet touch screens.



Get it on
Google Play



Download on the
App Store



M.A. Ford Europe Ltd.

650 City Gate
London Road, Derby
DE24 8WY
United Kingdom

Tel: +44(0) 1332 267960
Fax: +44(0) 1332 267969
e-mail: sales@mafordeurope.com
www.mafordeurope.com

M.A. Ford® Mfg. Co., Inc.

7737 Northwest Blvd.
Davenport
IA 52806
USA

Tel: 563-391-6220 or 800-553-8024
Fax: 563-386-7660 or 800-892-9522
e-mail: sales@maford.com
www.maford.com

M.A. Ford® Asia-Pacific Limited

Room 1709, Level 17
Millennium City 2
378 Kwun Tong Road
Kowloon, Hong Kong

Tel: +852-2167-7150
Fax: +852-2167-8150
Email: sales@mafordap.com